



US00D723090S

(12) **United States Design Patent**  
**Firchau et al.**

(10) **Patent No.:** **US D723,090 S**

(45) **Date of Patent:** **\*\* Feb. 24, 2015**

(54) **STABILISED GIMBAL ASSEMBLY**

(71) Applicant: **Freefly Systems, Inc.**, Redmond, WA (US)

(72) Inventors: **Tabb Firchau**, Redmond, WA (US);  
**David Bloomfield**, Redmond, WA (US);  
**Shane Colton**, Redmond, WA (US); **Ian Roper**, Snohomish, WA (US)

(73) Assignee: **Freefly Systems, Inc.**, Redmond, WA (US)

(\*\*) Term: **14 Years**

(21) Appl. No.: **29/464,390**

(22) Filed: **Aug. 15, 2013**

(51) **LOC (10) Cl.** ..... **16-05**

(52) **U.S. Cl.**

USPC ..... **D16/242**

(58) **Field of Classification Search**

USPC ..... D3/218, 274, 318, 321, 328; D6/406.3, D6/406.4; D10/113.4; D12/415, 416; D14/204, 209.1, 216, 217, 239, 251, D14/253, 302, 307, 374, 375, 376, 377, 392, D14/432, 433, 434, 439, 440, 447, 448, 449, D14/451, 452, 457; D16/237, 239, 242, D16/243, 244, 245, 246, 250; 33/321; 108/42, 152; 190/117; 248/118, 188.5, 248/121, 129, 149, 150, 166, 176.1, 177.1, 248/187.7, 434, 441.1, 444, 447, 451, 460, 248/463, 535, 682, 688, 689, 690, 691, 248/692; 318/649; 352/242, 243; 361/679.03, 679.05, 679.09, 679.26, 361/679.27, 679.3, 679.55, 679.56; 396/419, 421, 422, 425, 428, 535

See application file for complete search history.

(56) **References Cited**

U.S. PATENT DOCUMENTS

6,240,799 B1 \* 6/2001 Yau ..... 74/490.03  
D570,396 S \* 6/2008 Foddis ..... D16/242

D609,734 S \* 2/2010 Foddis ..... D16/242  
8,128,295 B2 \* 3/2012 Pizzo et al. .... 396/420  
8,584,995 B2 \* 11/2013 Russell ..... 248/177.1  
D694,761 S \* 12/2013 Zoll ..... D14/447  
2003/0161622 A1 \* 8/2003 Zantos ..... 396/419  
2004/0079844 A1 \* 4/2004 Bailey ..... 248/127  
2010/0266270 A1 \* 10/2010 Pizzo et al. .... 396/420  
2012/0138763 A1 \* 6/2012 Russell ..... 248/310  
2012/0145878 A1 \* 6/2012 Zoll ..... 248/688  
2013/0071100 A1 \* 3/2013 Pizzo et al. .... 396/420

\* cited by examiner

*Primary Examiner* — Susan Bennett Hattan

*Assistant Examiner* — Leanne Was

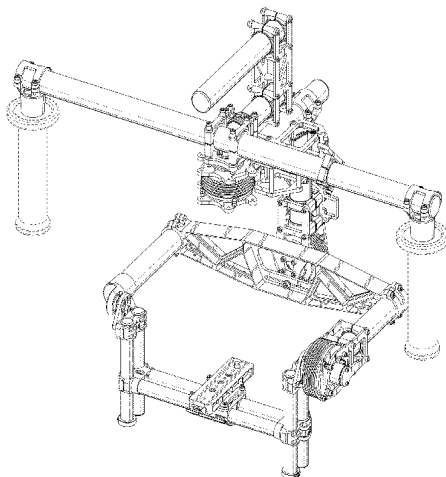
(74) *Attorney, Agent, or Firm* — Saliwanchik, Lloyd & Eisenschenk, P.A.

(57) **CLAIM**

The ornamental design for a stabilised gimbal assembly, as shown and described.

**DESCRIPTION**

FIG. 1 is a front, left side, perspective view of a stabilised gimbal assembly, showing our new design;  
FIG. 2 is a rear, right side, perspective view thereof;  
FIG. 3 is a front elevation view thereof;  
FIG. 4 is a rear elevation view thereof;  
FIG. 5 is a left side elevation view thereof;  
FIG. 6 is a right side elevation view thereof;  
FIG. 7 is a top plan view thereof;  
FIG. 8 is a bottom plan view thereof;  
FIG. 9 is a front, left side, perspective view of a stabilised gimbal sub-assembly for a stabilised gimbal assembly such as the stabilised gimbal assembly of FIG. 1, the sub-assembly is shown separate for the sake of clarity and not as a separate embodiment;  
FIG. 10 is a front, elevation view thereof;  
FIG. 11 is a rear elevation view thereof;  
FIG. 12 is a left side elevation view thereof;  
FIG. 13 is right side elevation view thereof;  
FIG. 14 is a top plan view thereof;  
FIG. 15 is a bottom plan view thereof;  
FIG. 16 is a front, left side perspective view of a roll beam sub-assembly for a stabilised gimbal assembly such as the



stabilised gimbal assembly of FIG. 1, the sub-assembly is shown separate for the sake of clarity and not as a separate embodiment;

FIG. 17 is a bottom, left side perspective view thereof;

FIG. 18 is a front, elevation view thereof;

FIG. 19 is a rear, elevation view thereof;

FIG. 20 is a left side elevation view thereof;

FIG. 21 is a right side elevation view thereof;

FIG. 22 is a top plan view thereof;

FIG. 23 is a bottom plan view thereof;

FIG. 24 is a front, left perspective view of a camera plate sub-assembly for a stabilised gimbal assembly such as the

stabilised gimbal assembly of FIG. 1, the sub-assembly is shown separate for the sake of clarity and not as a separate embodiment;

FIG. 25 is a rear, right perspective view thereof;

FIG. 26 is a front elevation view thereof;

FIG. 27 is a rear elevation view thereof;

FIG. 28 is a left side elevation view thereof;

FIG. 29 is a right side elevation view thereof;

FIG. 30 is a top plan view thereof; and,

FIG. 31 is a bottom plan view thereof.

The broken lines depict unclaimed portions of the stabilised gimbal assembly that and form no part of the claimed design.

**1 Claim, 23 Drawing Sheets**

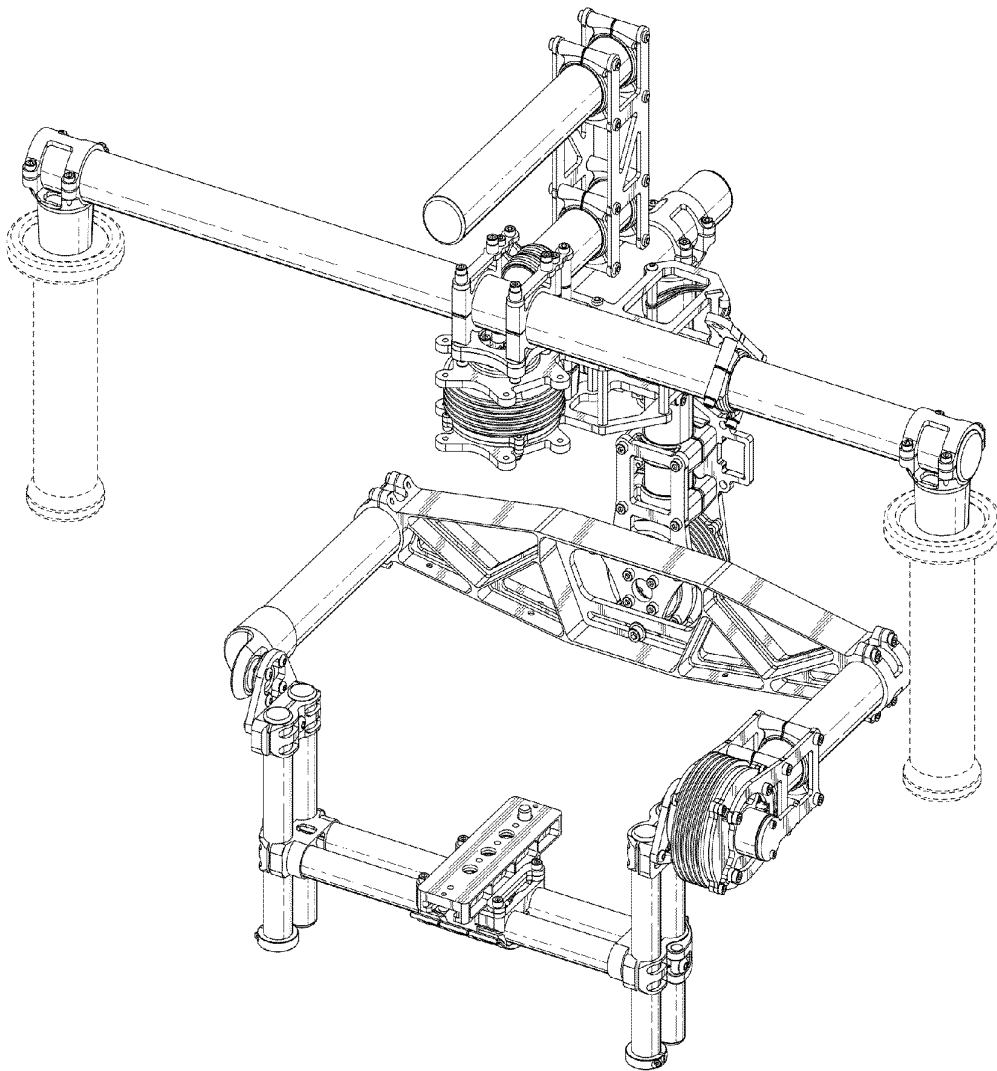


FIG. 1

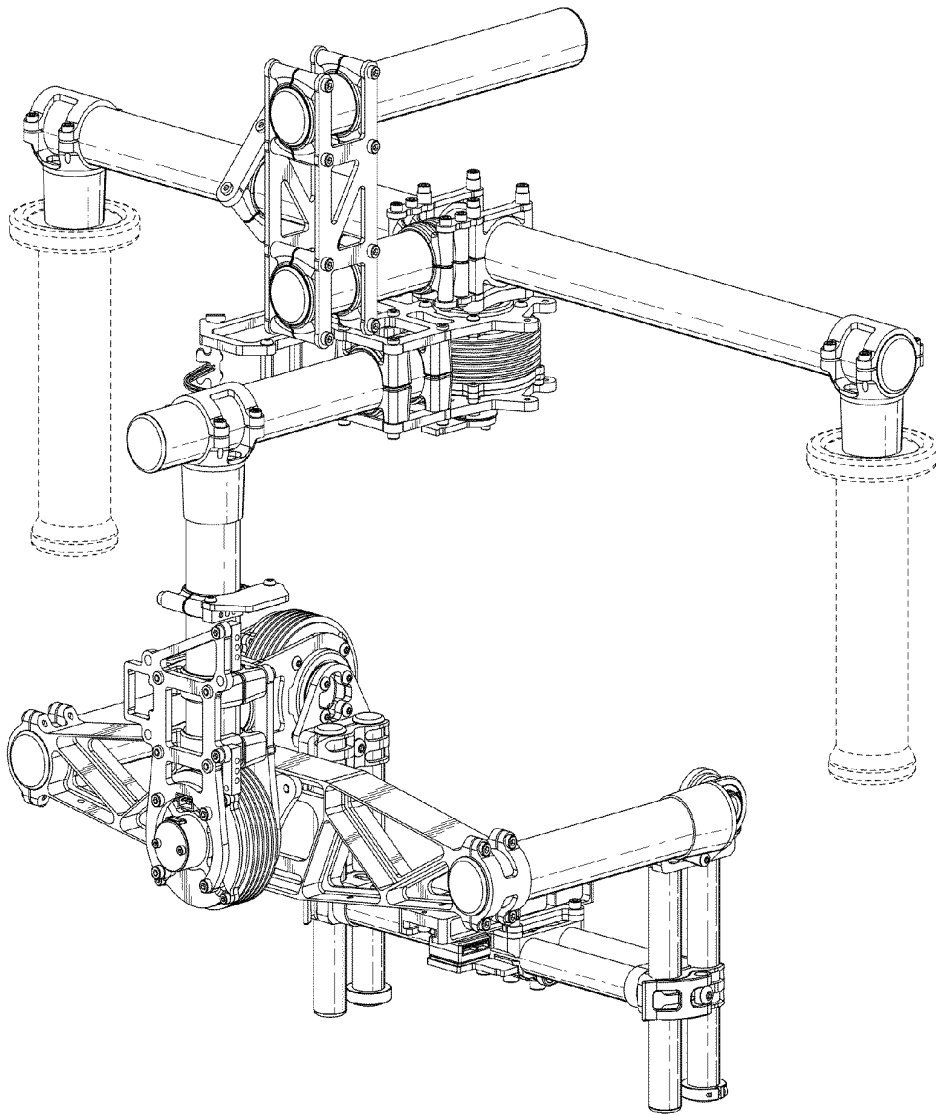


FIG. 2

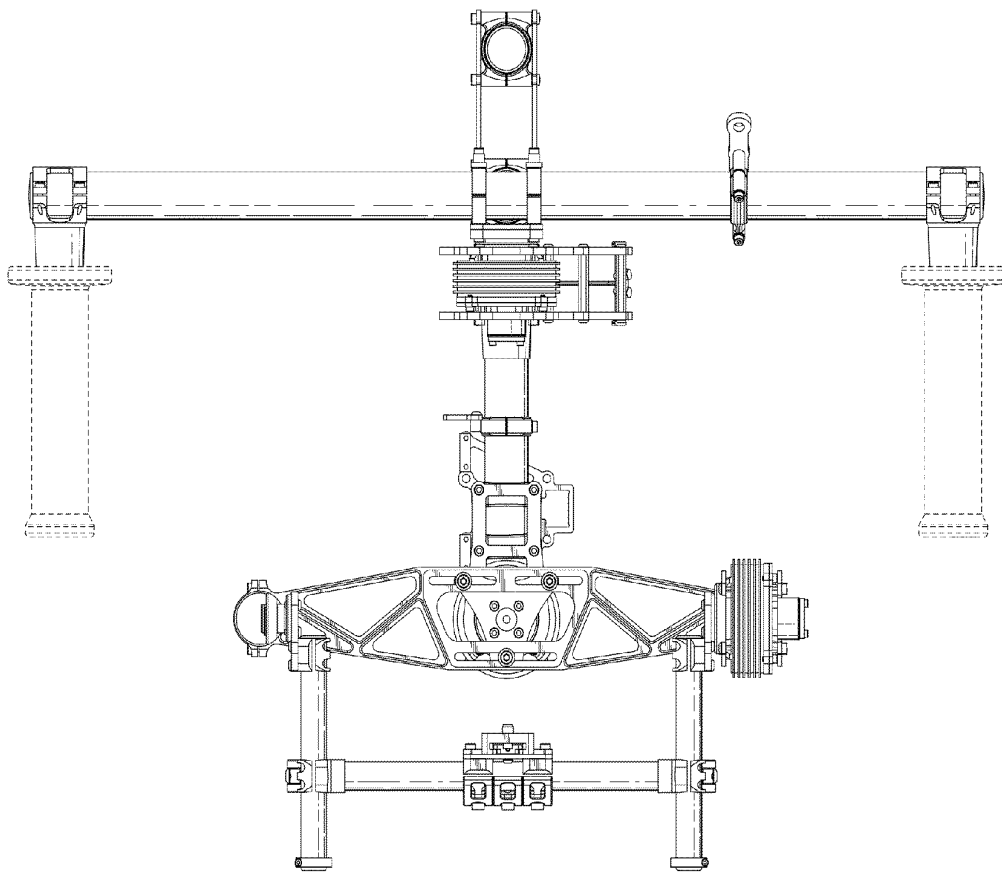


FIG. 3

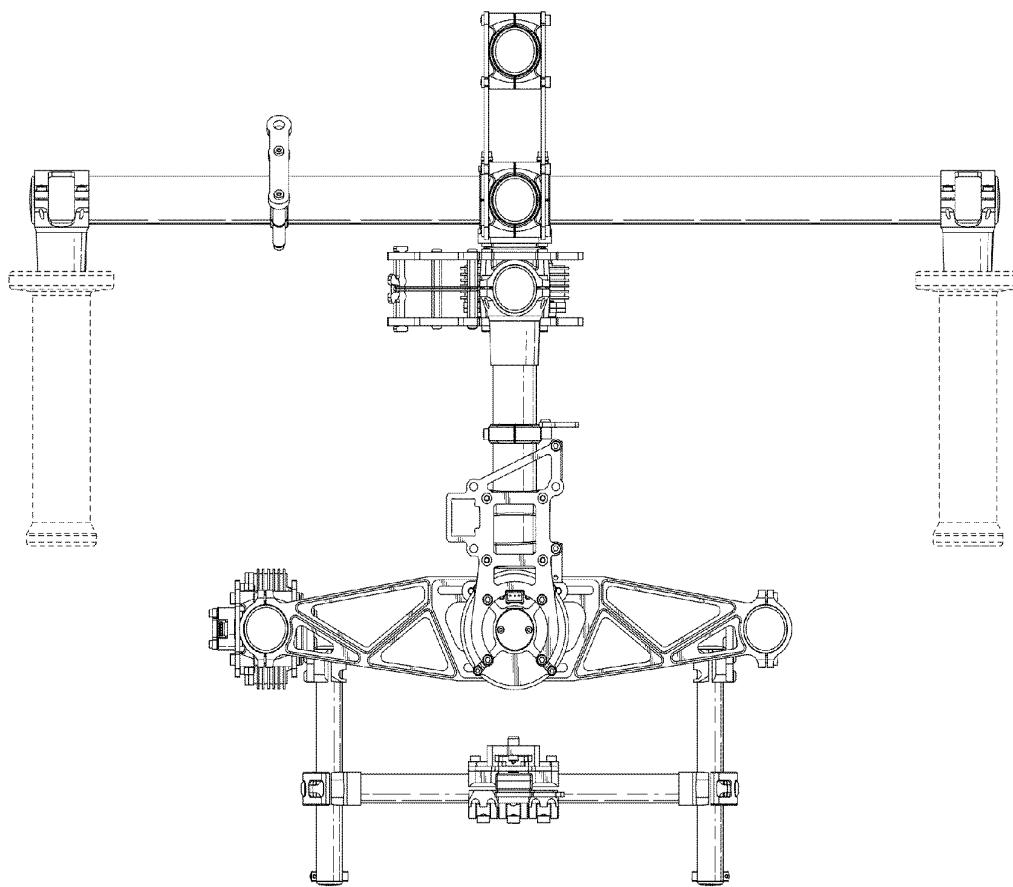


FIG. 4

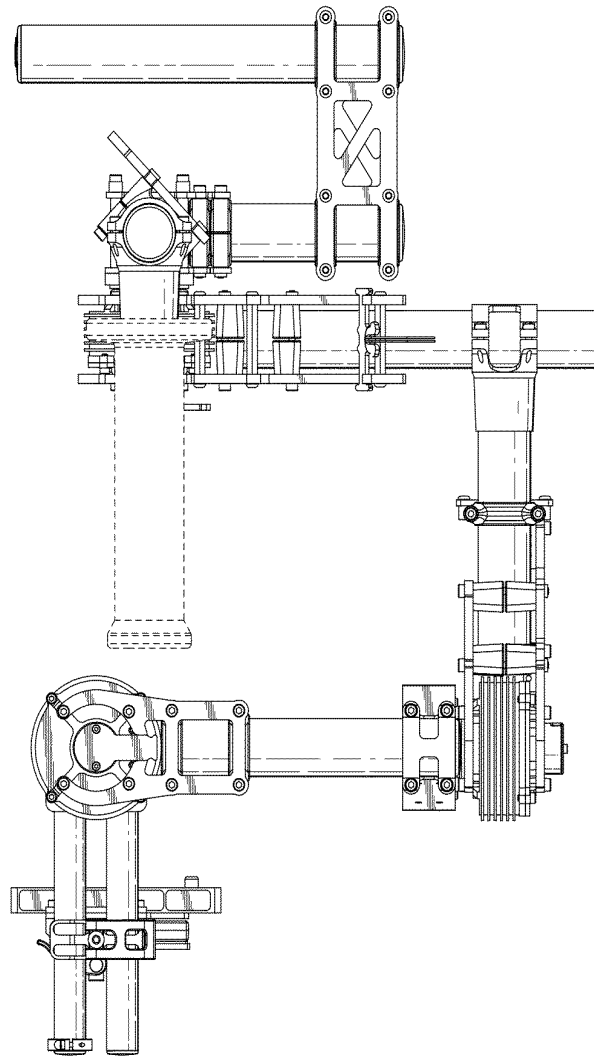


FIG. 5

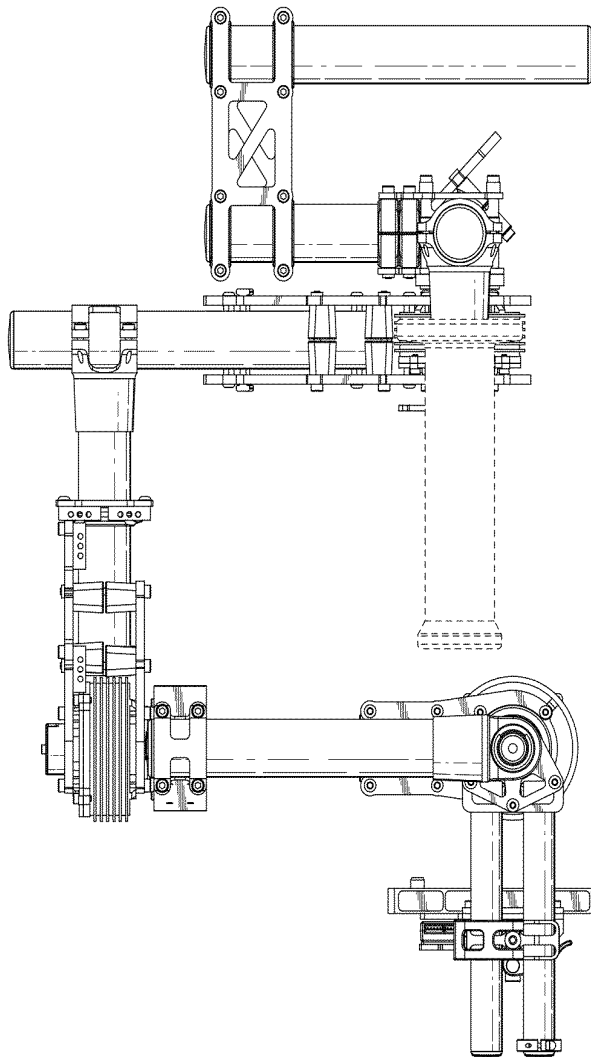


FIG. 6



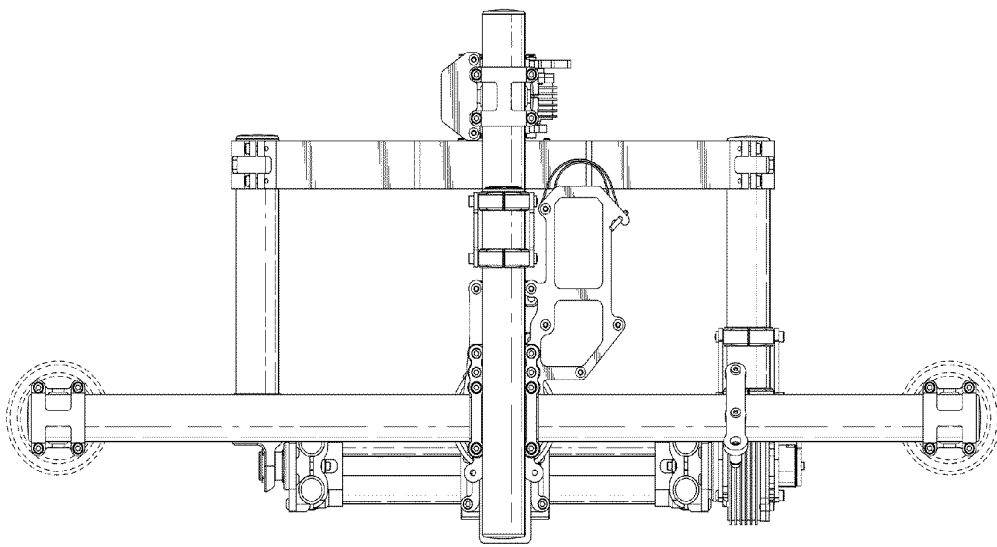


FIG. 7

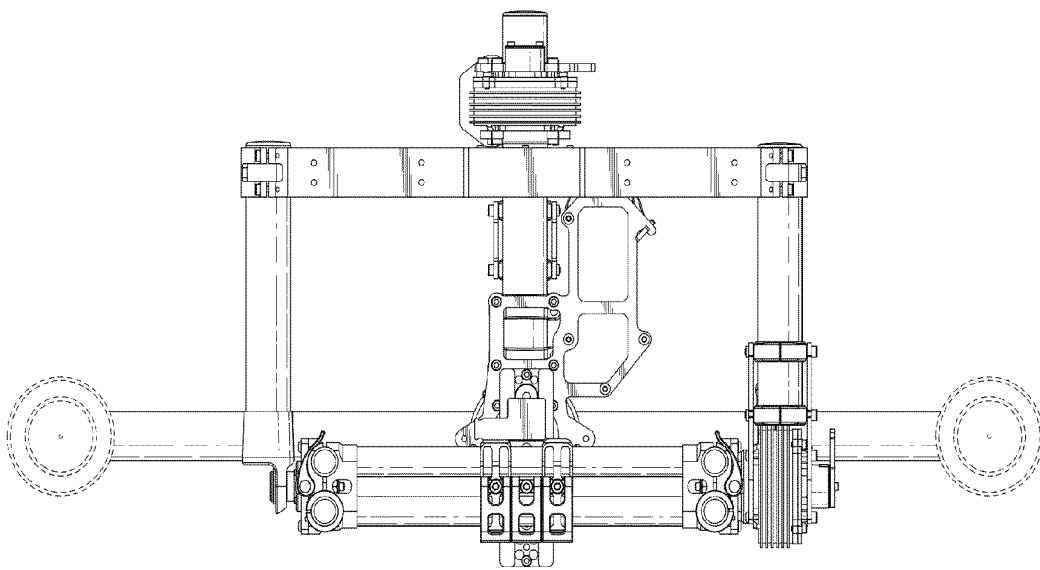


FIG. 8

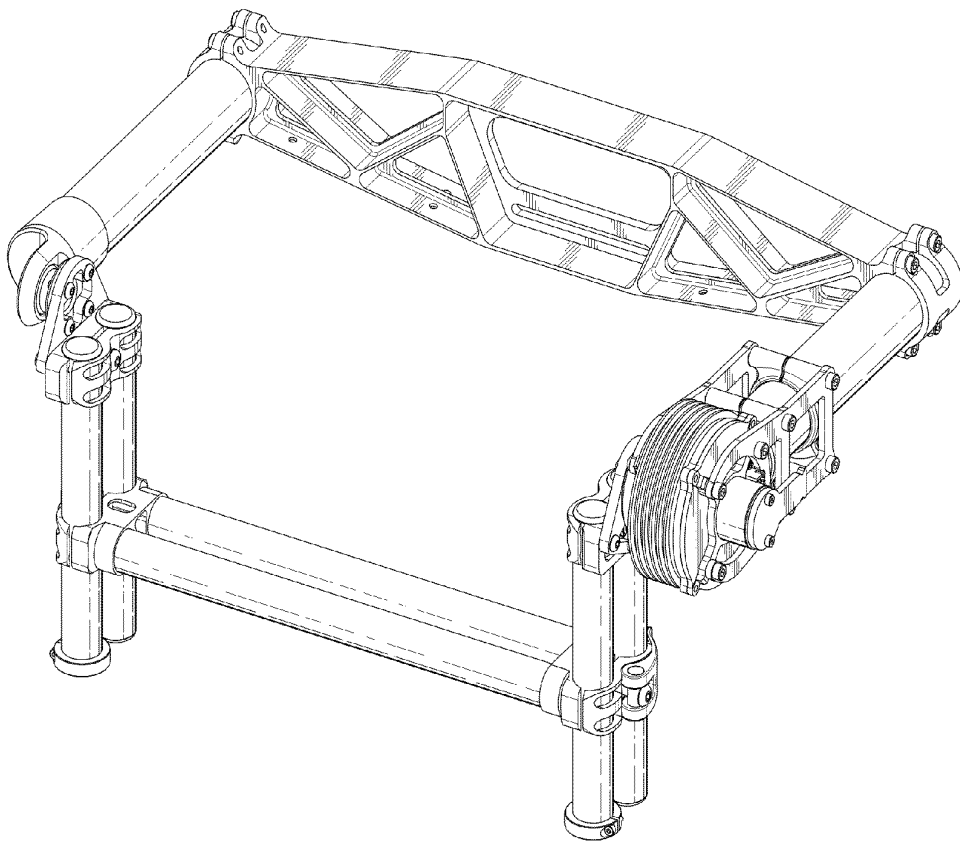


FIG. 9

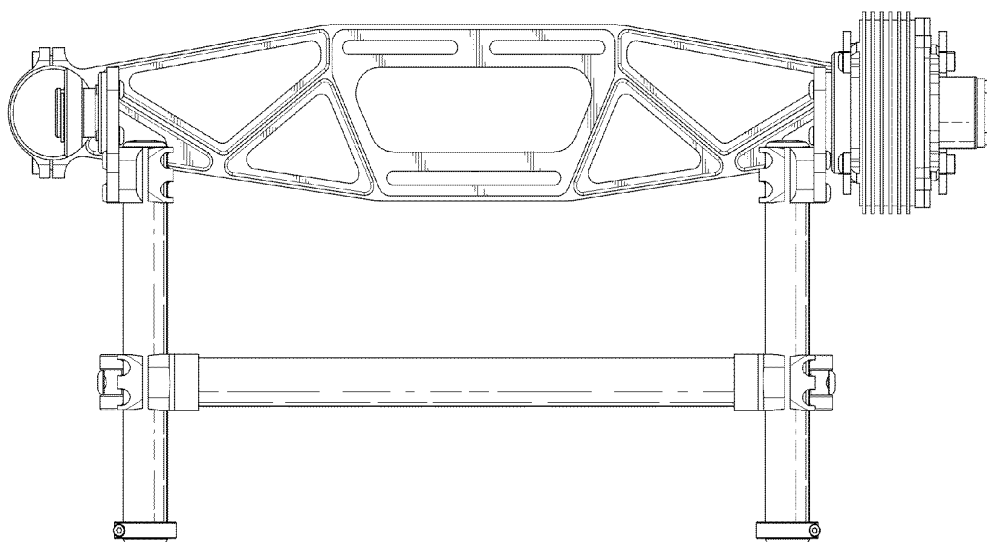


FIG. 10

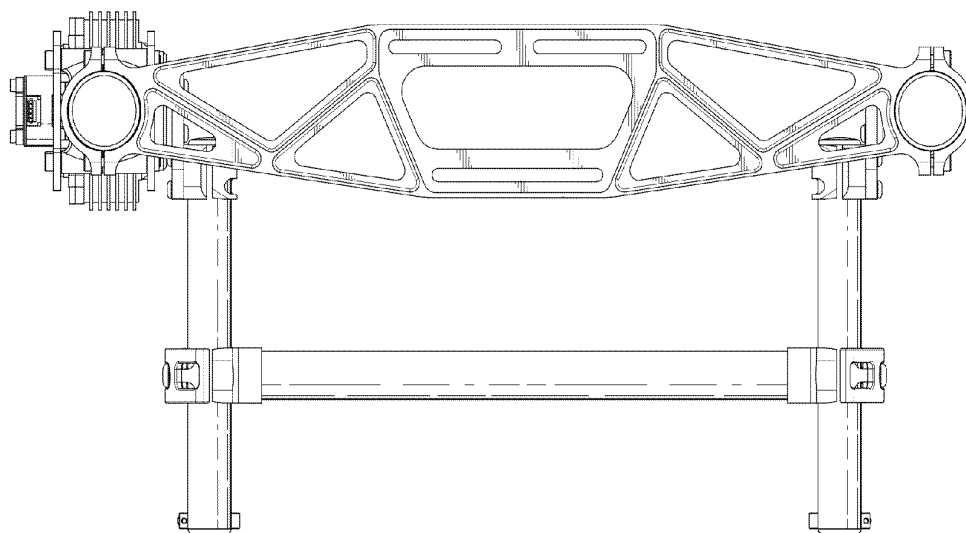


FIG. 11

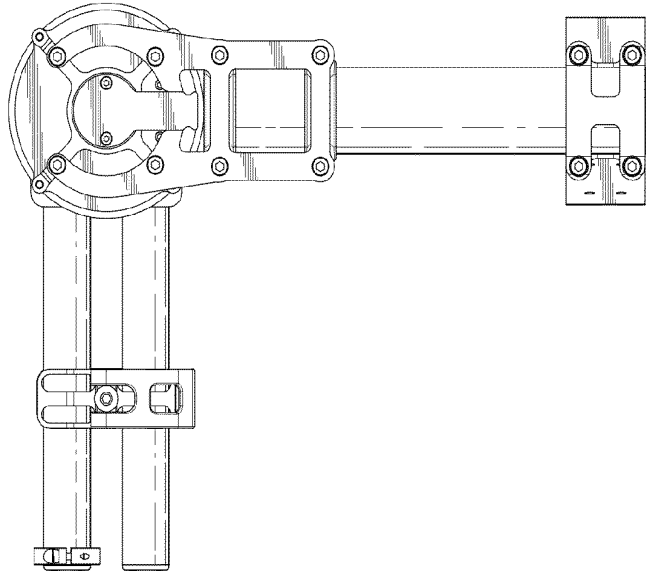


FIG. 12

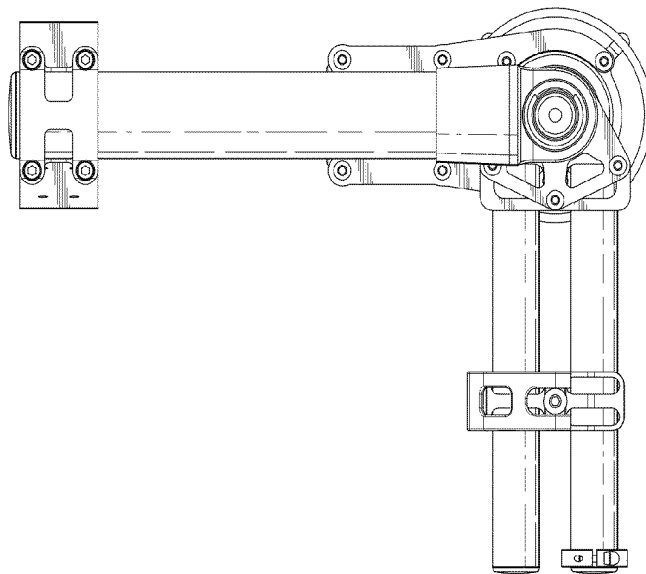


FIG. 13

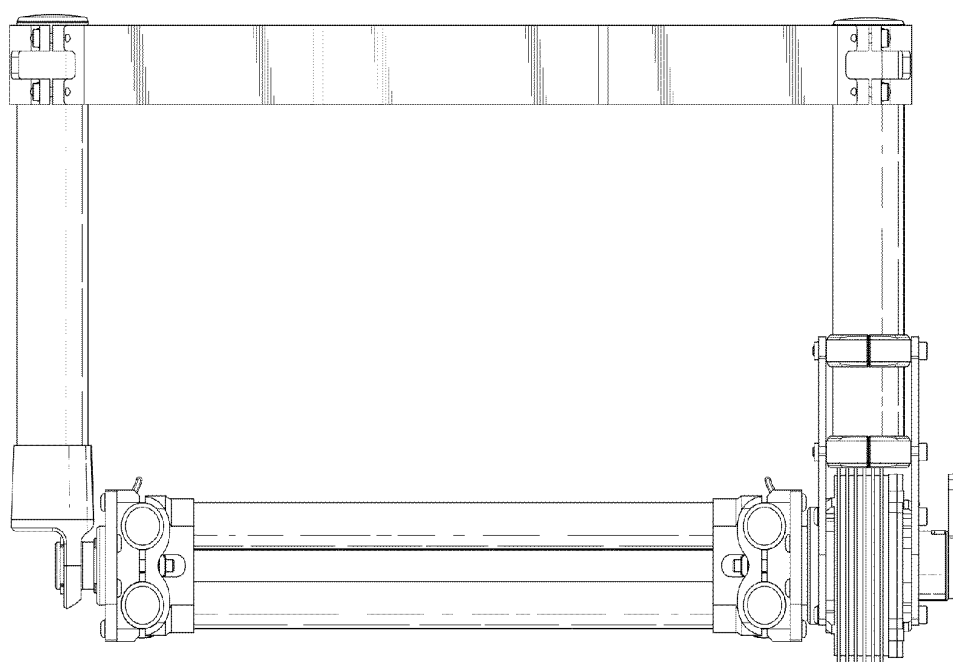


FIG. 14

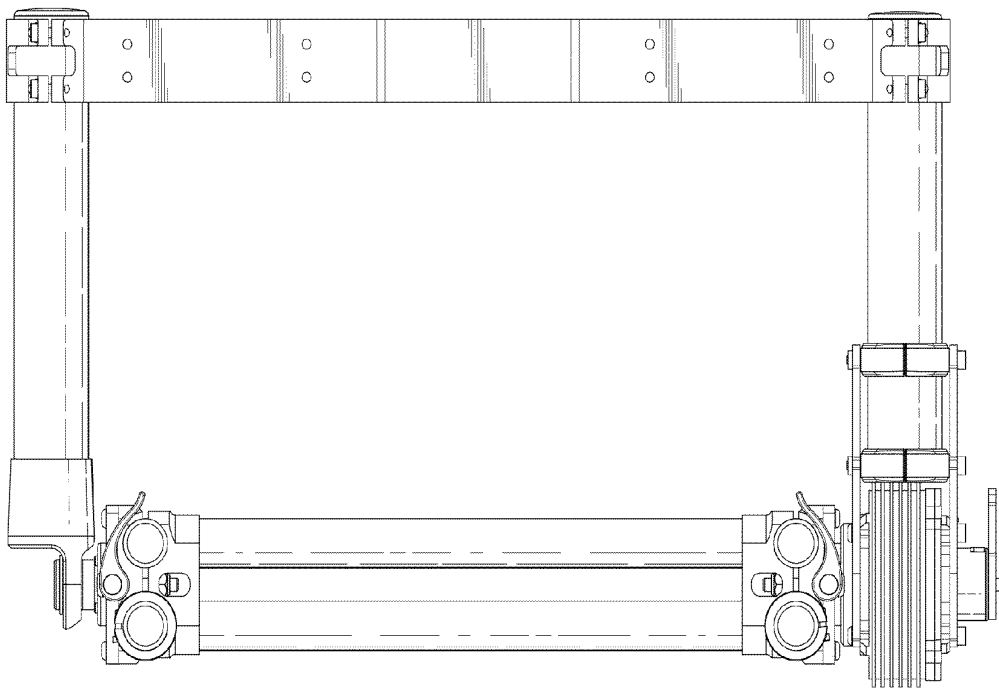


FIG. 15



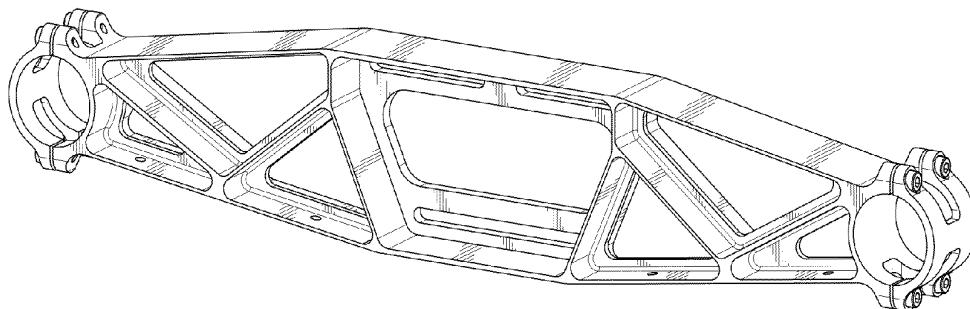


FIG. 16

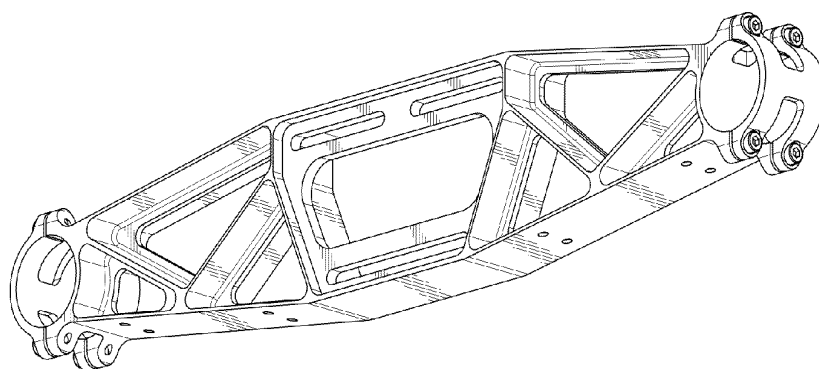
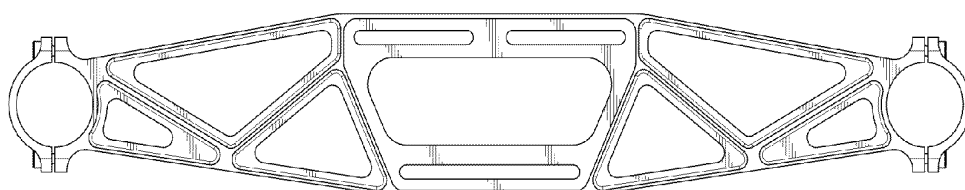
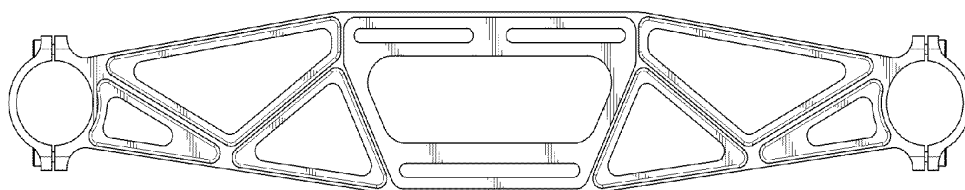


FIG. 17



*FIG. 18*



*FIG. 19*

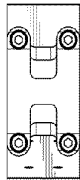


FIG. 20

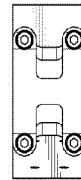


FIG. 21

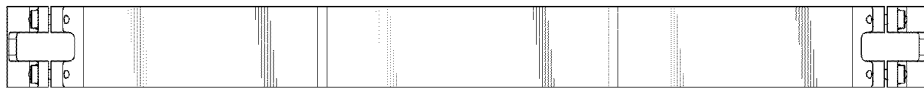
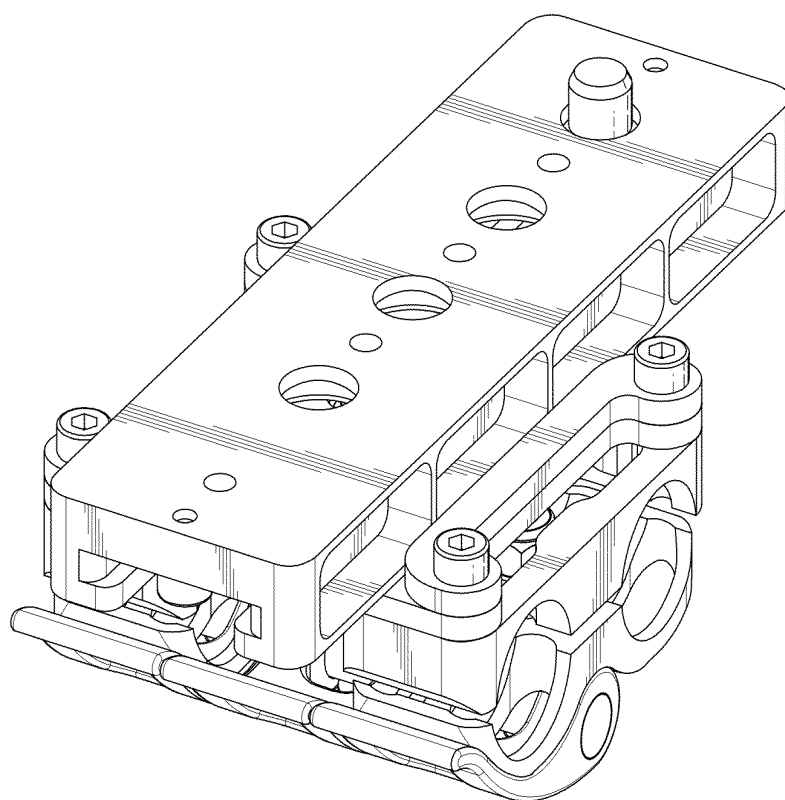


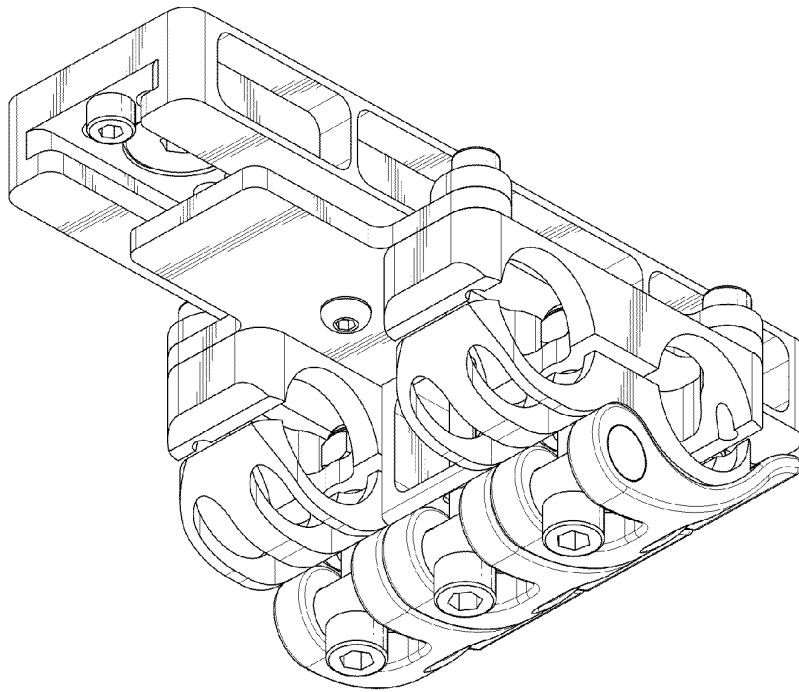
FIG. 22



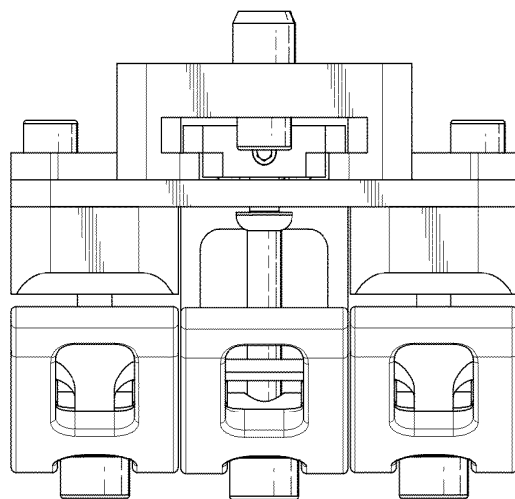
FIG. 23



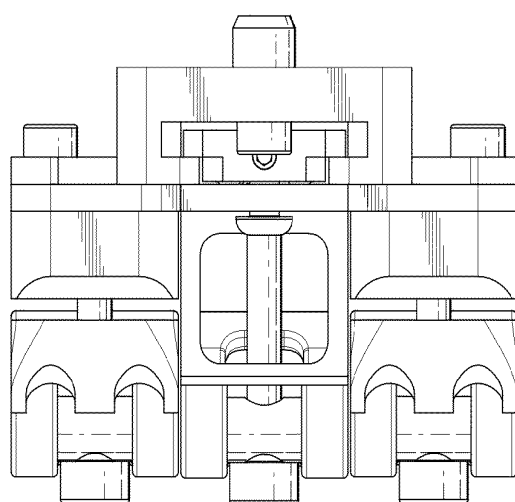
*FIG. 24*



*FIG. 25*



*FIG. 26*



*FIG. 27*

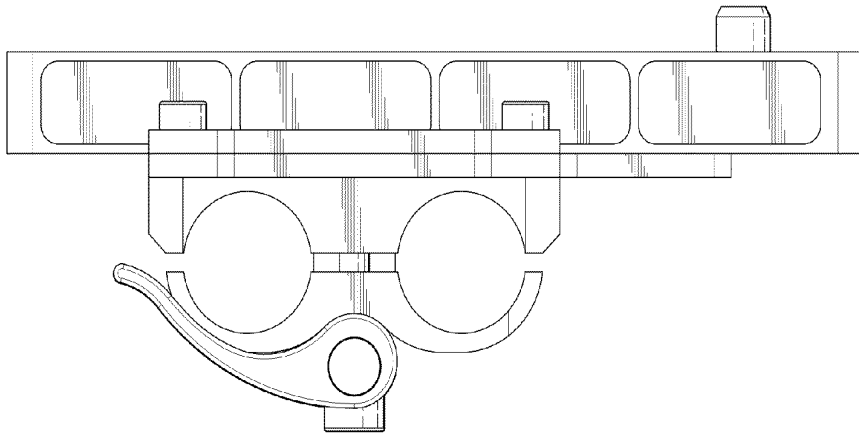


FIG. 28

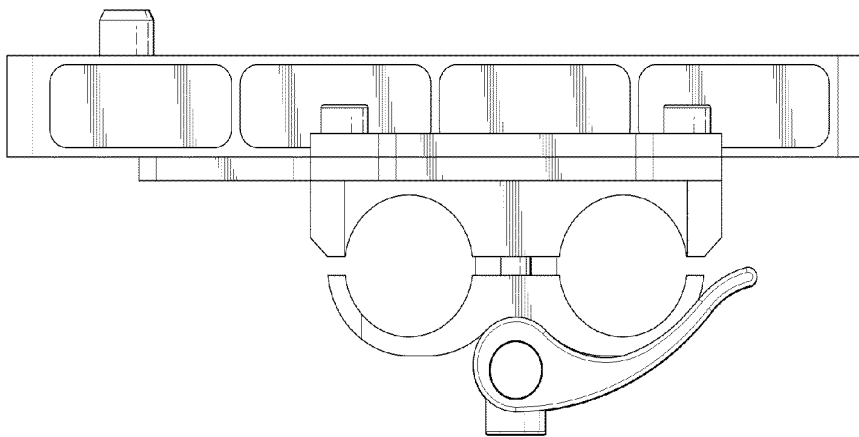
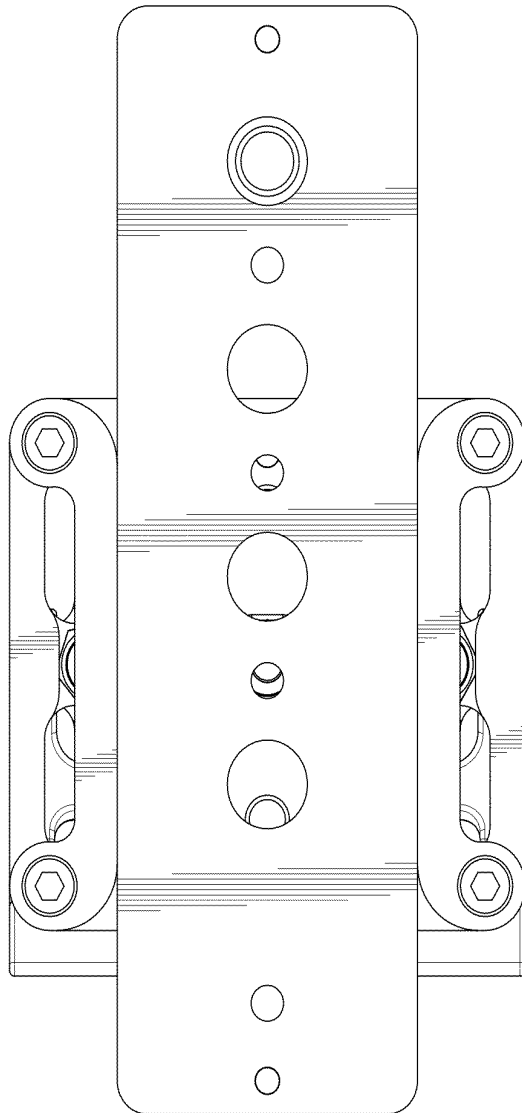
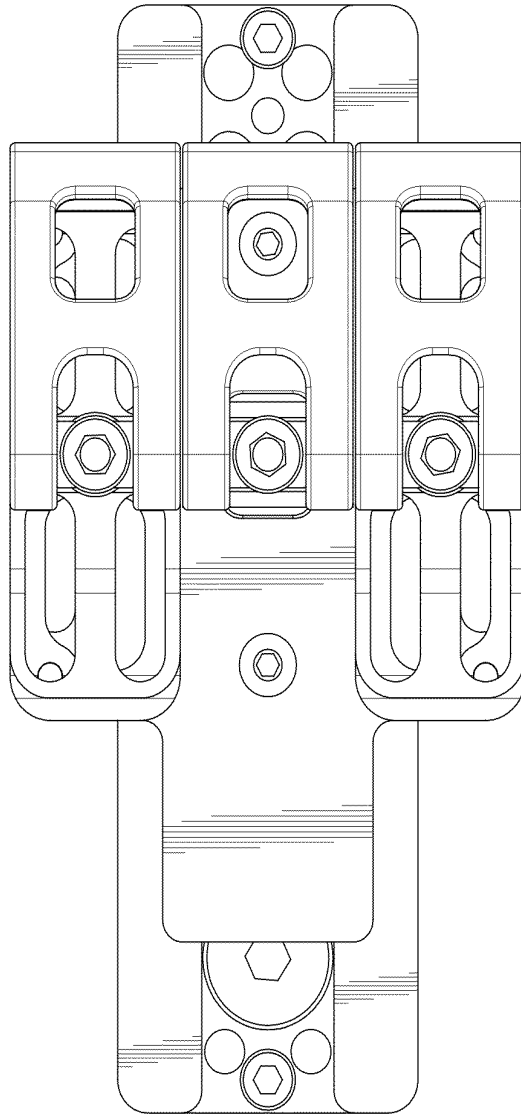


FIG. 29



*FIG. 30*





**FIG. 31**